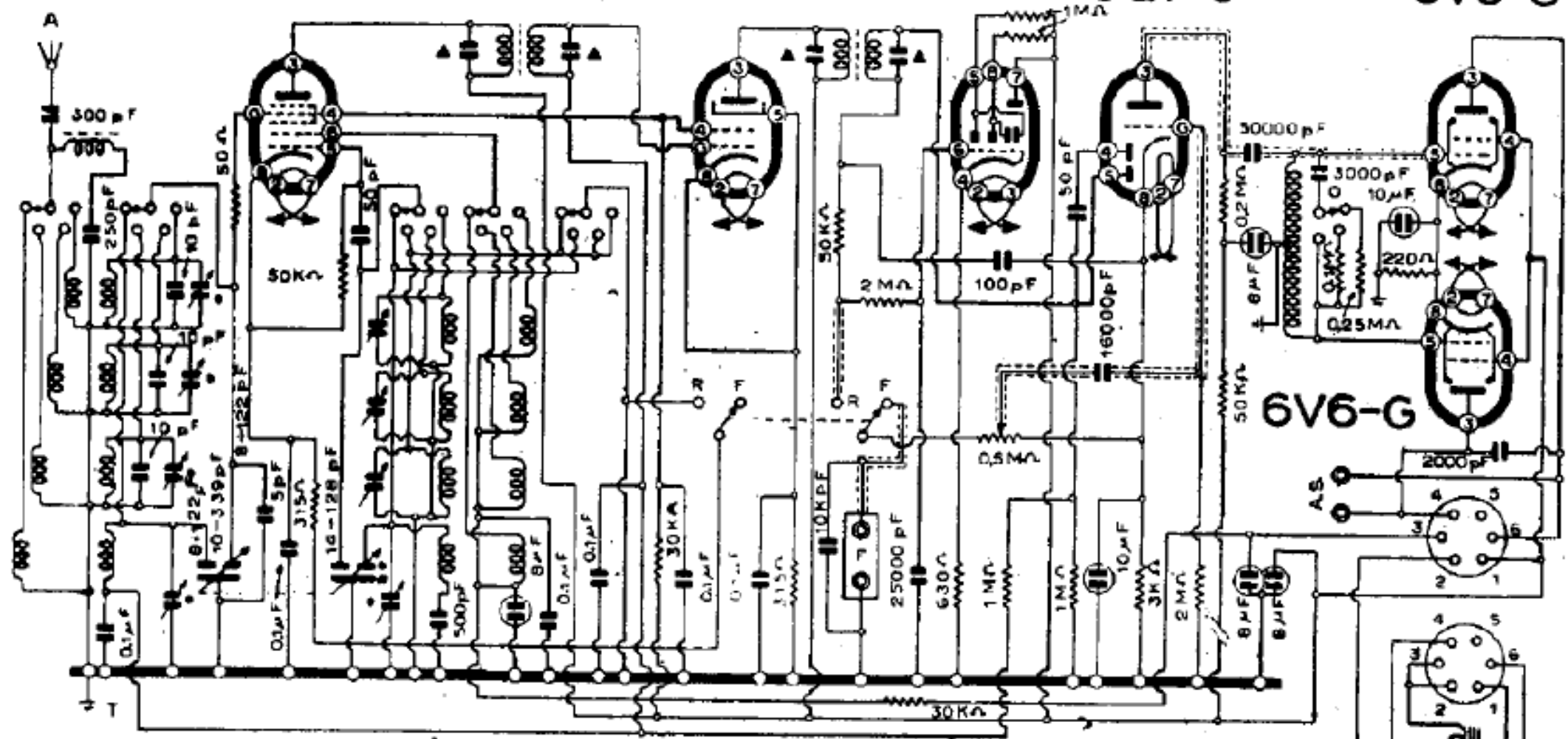


6A8-G

6K7-G

EM4 6Q7-G

6V6-G



○ 5-15pF    ■ 11-340pF    ▲ 175pF  
 MF 400 kHz

